

75W D类音频功放

75W Class D Mono Amplifier

■ FEATURES

- Output Power
75W (VDD=24V, RL=4Ω, THD+N=10%)
75W (VDD=32V, RL=8Ω, THD+N=10%)
- Single Wide Voltage Supply: 4V-34V
- Low Quiescent Current: 9mA (VDD = 24V, with LC and Load)
- Anti-clipping Function (ACF)
- MUTE Function
- Power Limit (PLIMIT) function that can be used to clip the output voltage level below the supply rail
- Spread Switching Frequency, Inductor-free Operation
- Differential / Single-ended Analog Input
- Integrated Self-protection Circuits Including, Undervoltage, Overtemperature, and Overcurrent
- LF and HF Package of ETSSOP28
- 输出功率
75W (VDD=24V, RL=4Ω, THD+N=10%)
75W (VDD=32V, RL=8Ω, THD+N=10%)
- 单电源系统, 3V-34V宽电压输入范围
- 低静态电流: 9mA (VDD = 24V, 带LC 和负载)
- ACF防破音功能可选
- MUTE功能
- 功率限幅器功能
- 扩频功能, 免电感滤波
- 模拟差分/单端输入
- 保护功能: 过流/过热/欠压异常和短路保护
- 无铅无卤封装, ETSSOP28

■ APPLICATIONS

- Sound Bars
- Wireless Speakers
- Consumer Audio Applications
- TVs/Monitors
- 条形音箱
- 便携式音箱
- 拉杆音箱
- 无线智能音箱
- 消费类音频应用
- LCD电视/监视器

■ DESCRIPTION

HT337 is a mono efficient, Class D audio amplifier. The device can drive a speaker up to 75W/4 Ω at VDD = 24V.

Advanced EMI Suppression enables the use of inexpensive ferrite bead filters while meeting EMC requirements for system cost reduction.

HT337 is protected with Undervoltage, Overtemperature, and Overcurrent protection.

HT337 features Anti-Clipping Function (ACF) which detects output signal clip due to the over input signal and suppresses the output signal clip automatically. Also, the ACF function can adapt the output clip caused by power supply voltage down with battery. It can significantly improve the sound quality, creating a very comfortable musical enjoyment, and to protect the speakers from overload damage.

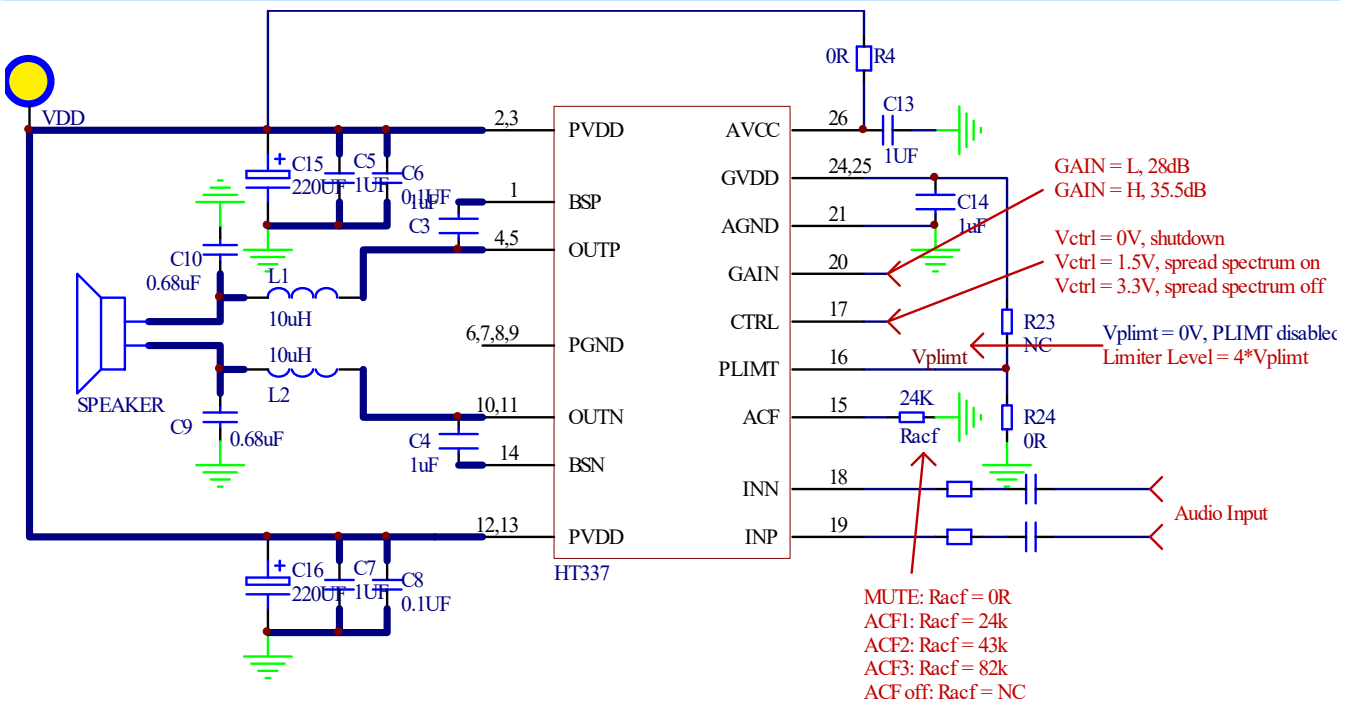
HT337B是一款高效D类音频功率放大器。24V供电、THD+N=10%条件下,能够持续提供75W/4 Ω 功率输出。

HT337具有先进的扩频功能来抑制EMI,使用价格低廉且小体积铁氧体磁珠可满足EMC要求。

此外,HT337内置关断功能使待机电流最小化,还集成了短路保护、热保护和电源欠压异常保护等功能。

HT337具有防削顶失真(ACF)输出控制功能,可检测并抑制由于输入音乐、语音信号幅度过大所引起的输出信号削顶失真(破音),也能自适应地防止在电源电压下降所造成的输出削顶,显著提高音质,创造非常舒适的听音享受,并保护扬声器免受过载损坏。

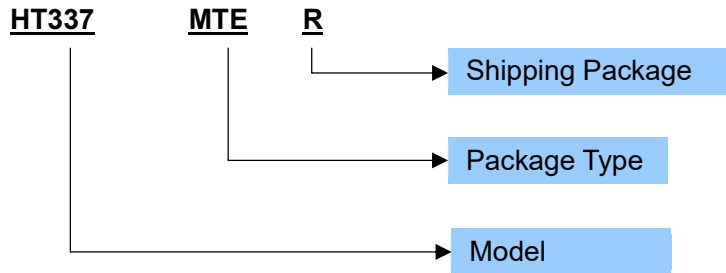
TYPICAL APPLICATION



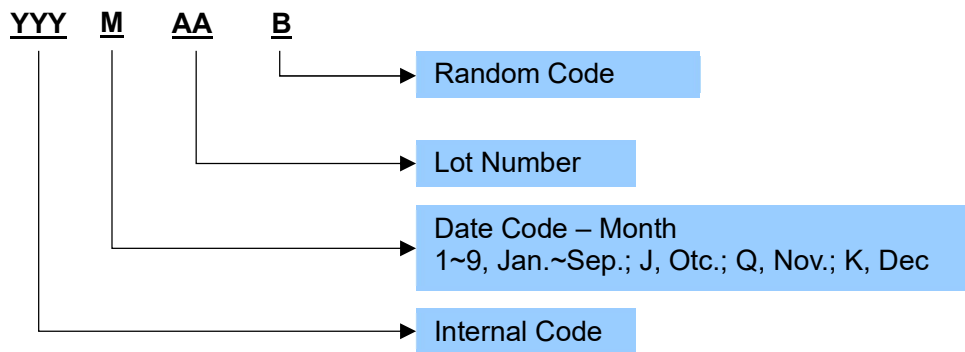
ORDERING INFORMATION

Part Number	Package Type	Marking	Operating Temperature Range	Shipping Package / MOQ
HT337MTER	ETSSOP28 (MTE)	HT337 YYYMAAB ¹	-40°C ~ 85°C	Tape and Reel (R) / 3000pcs

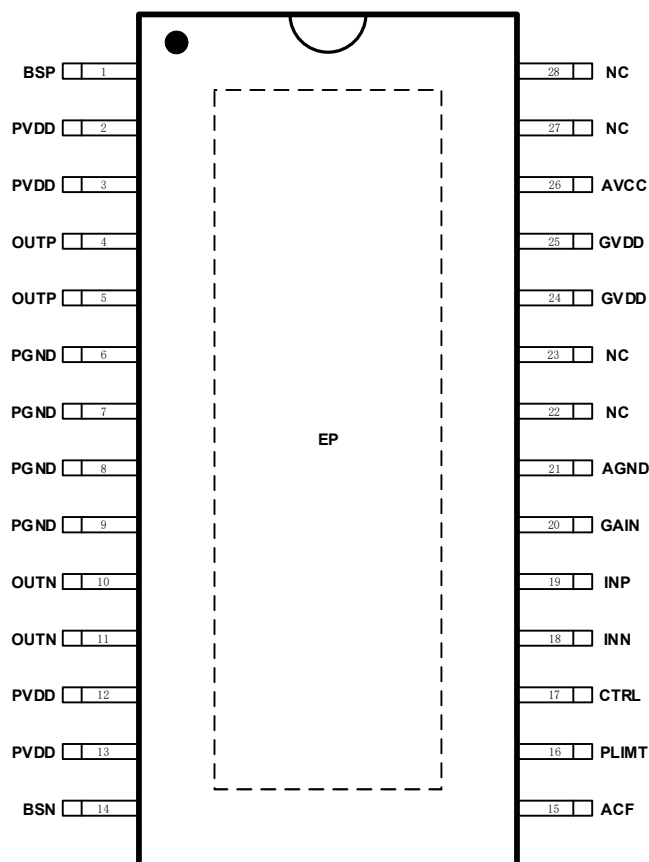
Part Number



Production Tracking Code



¹ YYYMAAB is production tracking code

■ TERMINAL CONFIGURATION

Top View
■ TERMINAL FUNCTION

Terminal No.	Name	I/O ¹	Description
1	BSP	BST	Connection point for the OUTP bootstrap capacitor, which is used to create a power supply for the high-side gate drive for OUTP
2,3,12,13	PVDD	P	Power Supply for power stage
4,5	OUTP	O	Positive pin for differential speaker amplifier output
6,7,8,9	PGND	G	Power Ground
10,11	OUTN	O	Negative pin for differential speaker amplifier output
14	BSN	BST	Connection point for the OUTN bootstrap capacitor, which is used to create a power supply for the high-side gate drive for OUTN
15	ACF	O	ACF mode and Mute mode selection terminal
16	PLIMIT	I	Sets the maximum output voltage before clipping (Limiter Level) for PLIMIT function.
17	CTRL	I	Working mode selection terminal
18	INN	I	Negative input terminal
19	INP	I	Positive input terminal
20	GAIN	I	Gain selection terminal
21	AGND	G	Analog ground
22,23,27,28	NC	-	No connection.
24,25	GVDD	O	Internal LDO output, connect 1uF to GND
26	AVCC	P	Analog power supply
EP	-	G	Provides thermal connection from the device to the board. A matching ground pad must be provided on the PCB and the device connected to it via solder. 散热PAD

¹ I: Input; O: Output; G: Ground; P: Power; BST: BOOT Strap

IMPORTANT NOTICE**注意**

Heroic Electronic Technology (Jiaxing) Co., Ltd (HT) reserves the right to make corrections, modifications, enhancements, improvements, and other changes to its products and services at any time and to discontinue any products or services. Customers should obtain the latest relevant information before placing orders and should verify that such information is current and complete.

禾润电子科技（嘉兴）股份有限公司（以下简称HT）保留对产品、服务、文档的任何修改、更正、提高、改善和其他改变，或停止提供任何产品和服务的权利。客户在下单和生产前应确保所得到的信息是最新、最完整的。

HT assumes no liability for applications assistance or customer product design. Customers are responsible for their products and applications using HT components.

HT对相关应用的说明和协助以及客户产品的板级设计不承担任何责任。

HT products are not authorized for use in safety-critical applications (such as life support devices or systems) where a failure of the HT product would reasonably be expected to affect the safety or effectiveness of that devices or systems.

HT的产品并未授权用于诸如生命维持设备等安全性极高的应用中。

The information included herein is believed to be accurate and reliable. However, HT assumes no responsibility for its use; nor for any infringement of patents or other rights of third parties which may result from its use.

本文中的相关信息是精确和可靠的，但HT并不对其负责，也不对任何可能的专利和第三方权利的侵害负责。

Following are URLs and contacts where you can obtain information or supports on any HT products and application solutions:

下面是可以联系到我公司的相关链接和联系方式：

禾润电子科技（嘉兴）股份有限公司**Heroic Electronic Technology (Jiaxing) Co., Ltd.**

地址：浙江省嘉兴市南湖区亚太路906号科创CBD园区21号楼11层

Add: 11th floor, Building 21, No. 906, Yatai Road, Jiaxing, Zhejiang Province

Sales: 0573-82586608, sales@heroic.com.cn

Support: 0573-82586151, support@heroic.com.cn

Website: www.heroic.com.cn; wap.heroic.com.cn

Wechat MP: HEROIC_JX

请及时关注禾润官方微信公众号，随时获取最新产品信息和技术资料！

